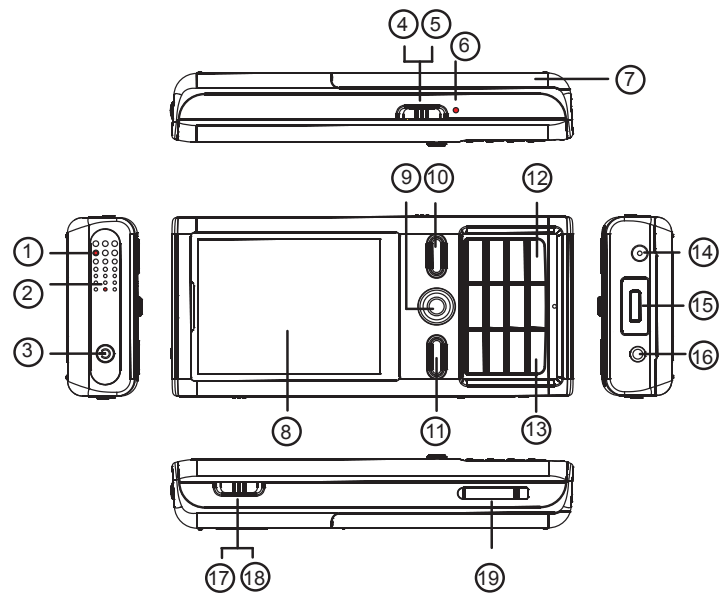


1. Name and Parts

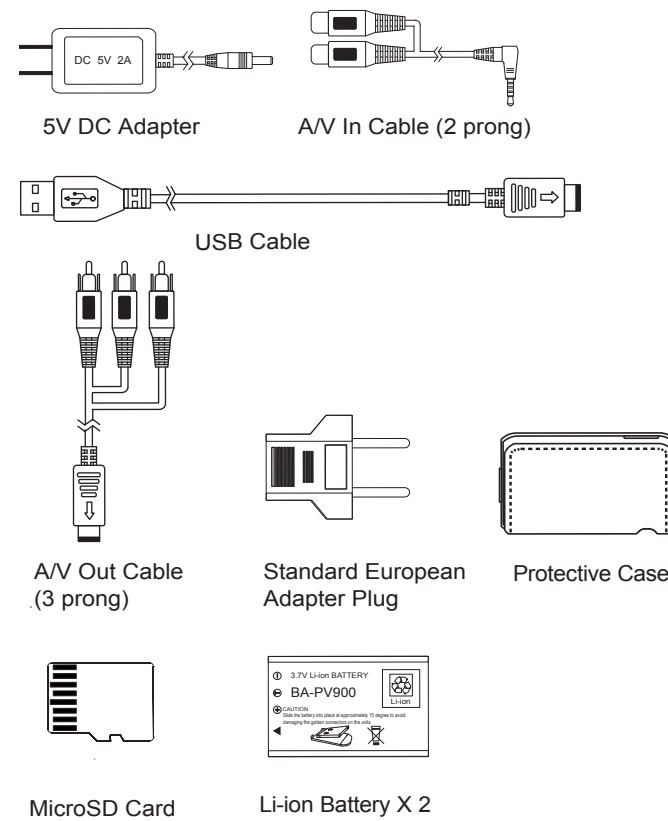


1. Camera Lens
2. Microphone
3. Power Button
4. Vibration On Switch
5. Vibration Off Switch
6. Reset Button
7. Battery Tray
8. 2.46" LCD Display
9. Navigation Key
10. Menu Button
11. ESC Button
12. Volume Up Button
13. Volume Down Button
14. DC Power Adapter Socket
15. Micro USB Port
16. AV Input Socket
17. Stop Recording Switch
18. Recording Switch
19. Micro SD Card Slot

* No microphones are available for USA market.

1

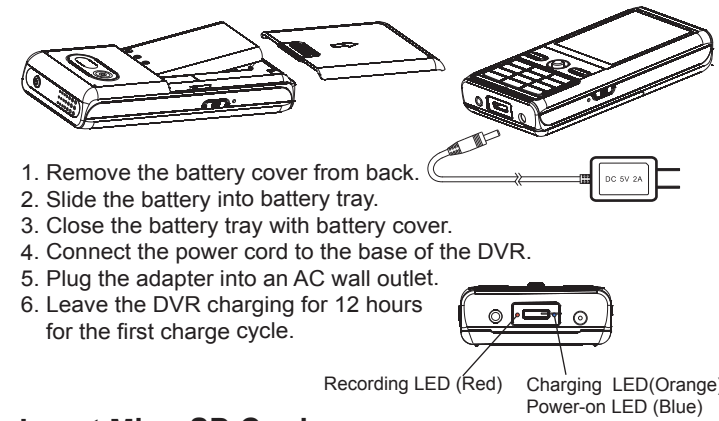
2. Package Contents



MicroSD Card Li-ion Battery X 2

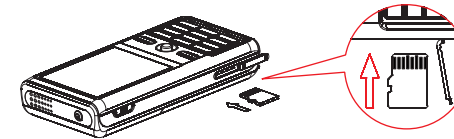
2

3. Charging The Battery



Recording LED (Red) Charging LED(Orange) Power-on LED (Blue)

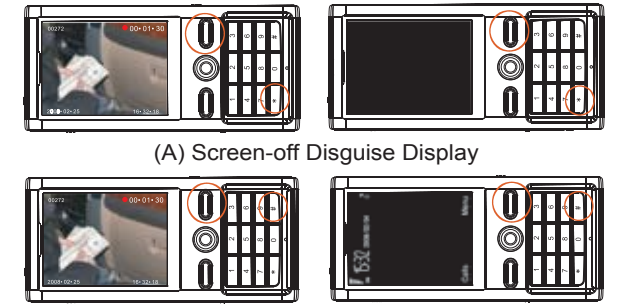
4. Insert MicroSD Card



1. Flip up the dustproof lid of card slot.
2. Gently insert the memory card with metal contacts facing upward before turning on the DVR.
3. Close the card slot with the attached lid.
4. All recorded files will be stored in the memory card.
5. File directory to playback recorded file:
Video file: Main Menu > Video
Picture file: Main Menu > Images

3

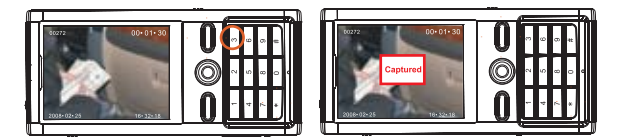
5. Activate Spy Mode



(A) Screen-off Disguise Display (B) Cellphone Power-on Disguise Display

1. There are two different covert displays originally designed for this model. (A) Screen-off (B) Cellphone power-on.
2. Both can be accessed by pressing the instant key.
3. To activate instant key access. Press the power button.
4. Go to Main Menu > Settings > Spy Mode > On
5. Press Menu + * button to change to screen-off display.
6. Press Menu + # button to change to Cellphone power-on display.
7. Use the navigation key to change the setting. UP/DOWN /RIGHT/LEFT to change cursor direction. Press the key to apply the setting.

6. Taking A Snapshot



1. Record directly without disguise, go to Main Menu > Record > Preview. Captured images will be shown on the screen.
2. Press key 3 to take a snapshot.

4

7. File Retrieval

1. USB Cable Connection:
 - (A) Connect Micro USB Cable Hub to the DVR.
 - (B) Connect Mini USB cable to Micro USB Cable Hub to computer.
 - (C) DVR is read as External Storage from computer.
 - (D) Access the external storage, find the "Record" folder.
 - (E) Operate file applications in this folder.
2. Card Reader:
 - (A) Remove MicroSD card from card slot.
 - (B) Connect a card reader to the computer.
 - (C) Insert MicroSD card into the card reader.
 - (D) Access the card reader folder.
 - (E) Operate file applications in this folder.

8. File Playback

1. Video File Playback:
 - (A) Go to Main Menu > Video
 - (B) Press Navigation Button to access "Record" folder.
 - (C) Press Navigation Button to playback video.
 - (D) Move Navigation Button to right to fast forward.
 - (E) Move Navigation Button to left to play backward.
 - (F) Press ESC button to move to previous directory.
2. Image File Playback:
 - (A) Go to Main Menu > Images
 - (B) Press Navigation Button to zoom in and zoom out.
 - (C) Move Navigation Button up or down to view other files.
 - (D) Press Menu Button to edit Slideshow option.

5

9. Changing The Video System

1. Navigate to: Main Menu > Setting > Digital Cam NTSC/PAL
2. Press Navigation Button to access selection.
3. Move Navigation Button UP and Down to change the setting.
4. Move Navigation Button to left to exit setting edit.
5. Press ESC Button to exit Setting Menu page.

10. Continuous Recording

1. Navigate to: Main Menu > Record > Preview
2. Captured images will show on the screen.
3. Switch to REC position to start recording.
4. Device will start recording continuously when REC is switched.
5. Switch to the STOP position to stop recording.

11. Pre-event Recording

1. Navigate to: Main Menu > Record > Pre-event
2. Captured images will show on the screen.
3. Switch to REC position to start recording.
4. Device will automatically start recording 30 seconds before REC is pressed.
5. Switch to STOP position to stop recording.

12. Motion Detect Recording

1. Navigate to: Main Menu > Settings > Motion Detection
2. Make changes on Motion Detection Level, Motion Detection Duration, Motion Detection Zones, and Overwrite settings.
3. Navigate to: Main Menu > Settings > Recording Mode.
4. Select Motion Detect as default recording mode.
5. Switch to REC position to start recording.
6. Switch to Stop position and press ESC button for 3 seconds to stop.

6

13. Password Protection

1. Power On Password:
 - (A) Navigate to: Main Menu > Setting > Set Power On Password
 - (B) Use Navigation Button to change password characters.
 - (C) Navigate to: Main Menu > Setting > Power On Password > On
2. USB Connection Password:
 - (A) Navigate to: Main Menu > Setting > Set USB Connection Password
 - (B) Use Navigation Button to change password characters.
 - (C) Navigate to: Main Menu > Setting > USB Connection Password > On

14. Timer Recording

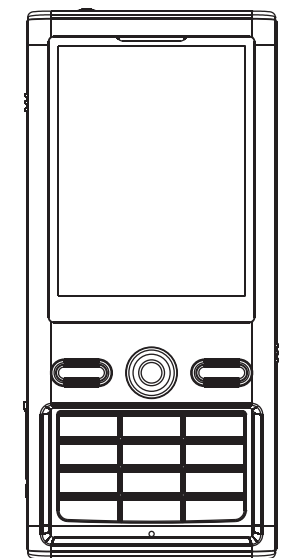
1. Navigate to: Main Menu > Setting > Timer Recording
2. Select any icon and edit timer settings.
3. Move to the end of the menu page.
4. Change Setting to On.
5. Turn the DVR power off.
6. DVR will start recording in response to the timer setting.

7

PV-900HD

Cellphone Design Portable DVR

Quick Guide



LawMate, innovation never stops

LawMate®