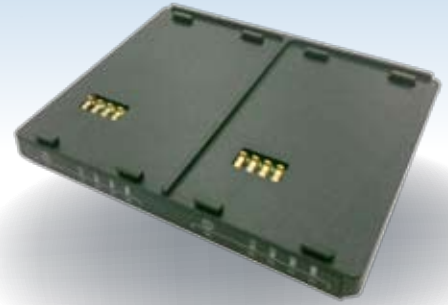


BCM-DUO1



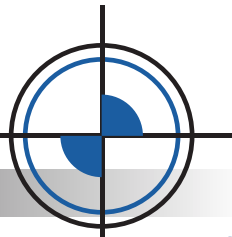
Duo Station Lithium-ion Battery Charger

Portable DVR Battery Charger



Feature

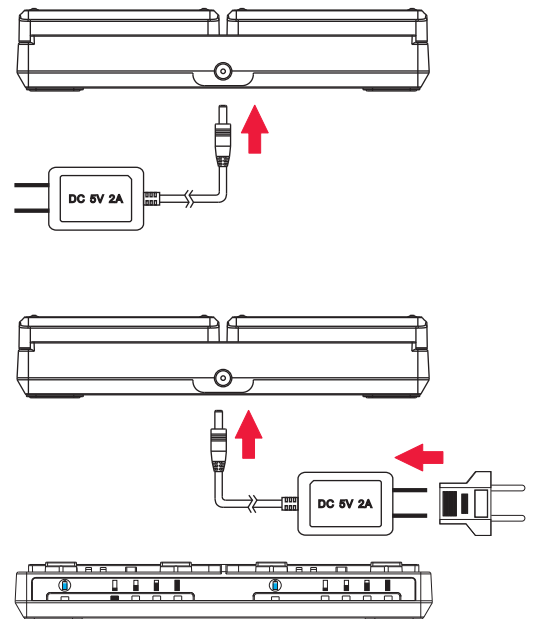
- * *Innovated lithium-ion battery charger*
- * *Compatible to portable lithium-ion battery 2200mA and 4400mA*
- * *LED indicator to show battery capacity*
- * *Duo-station design to charge two batteries once*
- * *DC wall charger compatible*
- * *Light weight, portable*
- * *Short charging time, long battery life*
- * *Complementary Europe adapter plug*



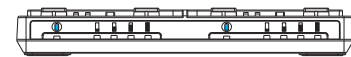
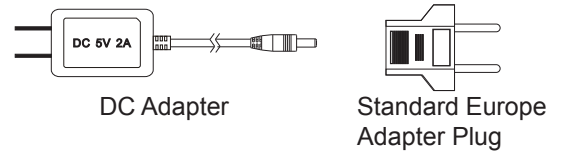
Specification

BCM-DUO1	
Compatible Battery Model	
Battery	BA-2200、BA-4400
Battery Output Current	2200mA、4400mA
Charging	
Charge Time	BA-2200: 3 hours BA-4400: 6 hours
Current	800mA
Temperature	
Operation	0°C ~ 60°C
Storage	-20°C ~ 80°C
Power	
Voltage Input	4.5V ~ 5.5V
Power Supply Voltage	DC 5V / 2A
Charging Constant Voltage	0% ~ 90%
Charging Constant Current	90% ~ 100%
Physical	
Dimension	107 X 86 X 14 mm
Weight	66 g

Illustration



Standard Accessories



BCM-DUO

*Specifications are subject to change without prior notice.